

[Ibérica de Iluminación]

WWW.IBERICADEILUMINACION.ES

WWW.IBERIANLEDGROUP.COM



CAMPANA NEW ENDURANCE OSRAM CHIP



IK08



IP65

5 AÑOS GARANTIA

NO FLICK

POTENCIA SELEC.
(80W, 100W,
150W)

INFORMACIÓN DEL PRODUCTO

La nueva luminaria LED OSRAM CHIP es una combinación excepcional de calidad y rendimiento. La gama de esta campana se ha actualizado para alcanzar una eficacia mucho más alta, teniendo 140lm/w y teniendo cubierto un rango de 10.400-19.500 lúmenes. A demás de ser IP65. Esta campana es ideal para la sustitución de luminarias de Halogenuro, vapor de sodio, etc.

APLICACIÓN

- Se puede utilizar en distintas áreas; ya que al ser **IP65** se puede colocar tanto en interior como en exterior.
- Naves industriales, centros logísticos, hangares.

HOUSING

- Esta campana está fabricada en Aluminio y Cristal.
- Tiene una protección IK08.
- Es **IP65**.
- NO SE PUEDE REGULAR, DRIVER INTEGRADO.
- Rango de temperatura: -20°C ~ +55°C
- Posibilidad de añadir un reflector con ángulo 60°.

MONTAJE

- Montaje con cableo soporte.

OSRAM



LEDs
Included

MONTAJE ÓPTICO Y LED

- Un producto de alto rendimiento que utiliza chips LED de OSRAM, que ofrece una confiabilidad excepcional.
- Versión **disponible en 4000k y 5700k** con un CRI de 80.
- Tiene un **ángulo de apertura de 120°**.
- Tiene una vida estimada de 50.000H.

ELÉCTRICA

- 175-265V / 50-60Hz
- Factor de potencia: 0.95
- Clase energética D

| SELECTOR | W |
|--|-----|
|  | 80 |
|  | 100 |
|  | 150 |



www.osram-os.com

GWM JTLRSA.EM

DURIS® E 2835

The DURIS® E 2835 combines good efficacy and a wide beam angle into a compact format (2.8 mm x 3.5 mm). This is key to homogeneous illumination applications where the DURIS® E 2835 never fails to impress with its performance on system level.



OSRAM

LEDs
Included

Campana Industrial LED 150W-100W-80W UFO ENDURANCE OSRAM CHIP DURIS E 2835

REFERENCIA: NEWENDUR-HB150W

Potencia nominal: AJUSTABLE 80W - 100W - 150W

Tensión Nominal: 175-265V

Temperatura de Luz: 4000K - 5700K

CRI - Índice Reproducción Cromática: 80

Material de Construcción: Aluminio + Cristal

Clase Energética: A+

Luminosidad-Lm: 19500

Tipo de LEDs: SMD DURIS E 2835 OSRAM CHIPLEAD

Angulo de Apertura (°): 120°

Eficacia luminosa (Lm/W): 130Lm/W

Certificados: CE - ROHS

Grado de IP: IP65-Exterior

Vida Estimada Diodo LED (H): 35.000

Medidas (mm): Ø270XH52mm

Factor de Potencia (PF): 0.95

Frecuencia de Trabajo (Hz): 50/60Hz

Rango Temperatura (°C): -20°C ~ +55°C

Ciclos de Encendidos: 100.000

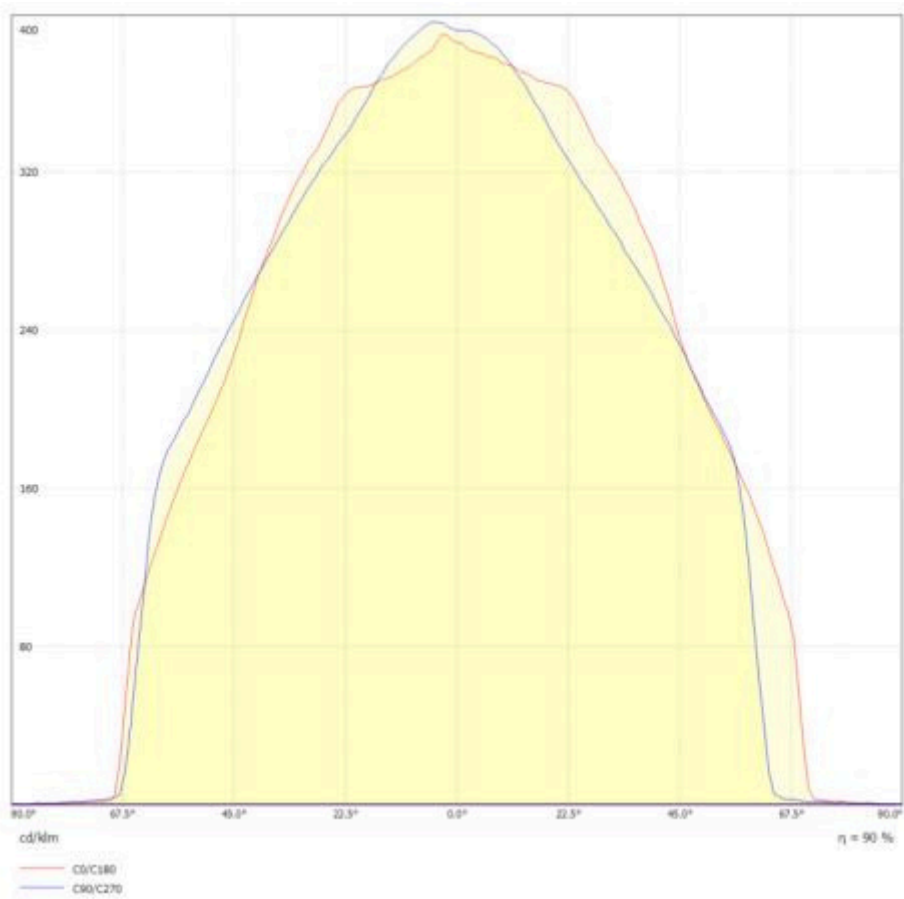
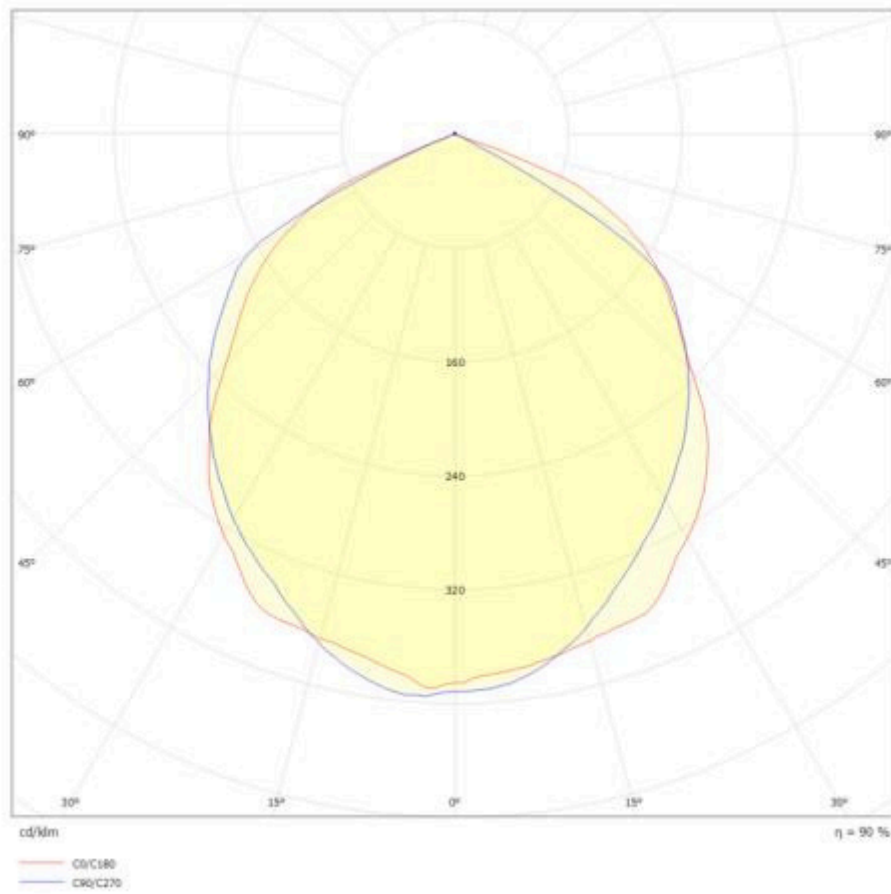
Tiempo de Arranque (s): 0,2s

Protección impacto (IK): IK08

Driver incluido: DRIVER NO FLICK - SIN PARPADEO

Garantía años: 3

FOTOMETRIAS



GW JTLRS1.EM



The compact, mid-power DURIS® E 2835 LED with an industry standard footprint. Optimum lumen packages for retrofit applications and a truly cost optimize product. It is the ideal choice for all indoor General Lighting applications.

DURIS® E 2835 ist eine kompakte mid-Power-LED im Standard-Footprint. Die Lumenpakete sind auf Anwendungen wie LED-Lampen (Retrofits) zugeschnitten und durch sein kostenoptimiertes Design ist die DURIS® E 2835 die ideale Wahl für alle Anwendungen in der Innenraumbeleuchtung.

Features:

- **Package:** white SMT package, colored diffused silicone resin
- **Viewing angle at 50 % IV:** 120°
- **Color:** 2200 K - 6500 K (white)
- **CRI:** min. 80 (typ. 82)
- **Luminous Flux:** typ. 113 lm @ 3000 K
- **Luminous efficacy:** typ. 118 lm/W @ 3000 K
- **Lumen Maintenance:** Testing according to IESNA LM-80 in progress

Applications

- Indoor General Lighting
- Industrial lighting
- Linear lights
- Professional downlights
- Retrofits and fixtures

Besondere Merkmale:

- **Gehäusotyp:** weißes SMT Gehäuse, farbiger diffuser Silikon-Verguss
- **Abstrahlwinkel bei 50 % IV:** 120°
- **Farbe:** 2200 K - 6500 K (weiß)
- **CRI:** min. 80 (typ. 82)
- **Lichtstrom:** typ. 113 lm @ 3000 K
- **Lichtausbeute:** typ. 118 lm/W @ 3000 K
- **Lichtstromerhaltung:** Tests nach IESNA LM-80 im Gange

Anwendungen

- Innen-Allgemeinbeleuchtung
- Industriebeleuchtung
- Linearbeleuchtung
- Professionelle Downlights
- Retrofits

Ordering Information
Bestellinformation

| Type: Typ: | Color Temperature Farbtemperatur [K] | Luminous Flux <small>1) page 25</small> Lichtstrom <small>1) Seite 25</small> IF = 100 mA ΦV [lm] | Ordering Code Bestellnummer |
|----------------------------|---|--|------------------------------------|
| GW JTLRS1.EM-KYK2-A10310-1 | 2200 | 95 ... 115 | Q65112A4091 |
| GW JTLRS1.EM-KYK2-XX510-1 | 2200 | 95 ... 115 | Q65112A4094 |
| GW JTLRS1.EM-KZK3-A838-1 | 2700 | 100 ... 120 | Q65112A2656 |
| GW JTLRS1.EM-KZK3-XX58-1 | 2700 | 100 ... 120 | Q65112A2650 |
| GW JTLRS1.EM-K1K4-A838-1 | 2700 | 105 ... 125 | Q65112A2642 |
| GW JTLRS1.EM-K1K4-XX58-1 | 2700 | 105 ... 125 | Q65112A2640 |
| GW JTLRS1.EM-K1K4-A737-1 | 3000 | 105 ... 125 | Q65112A2655 |
| GW JTLRS1.EM-K1K4-XX57-1 | 3000 | 105 ... 125 | Q65112A2648 |
| GW JTLRS1.EM-K2K5-A737-1 | 3000 | 110 ... 130 | Q65112A2641 |
| GW JTLRS1.EM-K2K5-XX57-1 | 3000 | 110 ... 130 | Q65112A2639 |
| GW JTLRS1.EM-K1K4-A636-1 | 3500 | 105 ... 125 | Q65112A2654 |
| GW JTLRS1.EM-K1K4-XX56-1 | 3500 | 105 ... 125 | Q65112A2647 |
| GW JTLRS1.EM-K2K5-A636-1 | 3500 | 110 ... 130 | Q65112A2638 |
| GW JTLRS1.EM-K2K5-XX56-1 | 3500 | 110 ... 130 | Q65112A2637 |
| GW JTLRS1.EM-K3LV-A535-1 | 4000 | 115 ... 135 | Q65112A4089 |
| GW JTLRS1.EM-K3LV-XX55-1 | 4000 | 115 ... 135 | Q65112A4081 |
| GW JTLRS1.EM-K3LV-A333-1 | 5000 | 115 ... 135 | Q65112A4090 |
| GW JTLRS1.EM-K3LV-XX53-1 | 5000 | 115 ... 135 | Q65112A4079 |
| GW JTLRS1.EM-K3LV-A232-1 | 5700 | 115 ... 135 | Q65112A4085 |
| GW JTLRS1.EM-K3LV-XX52-1 | 5700 | 115 ... 135 | Q65112A4093 |
| GW JTLRS1.EM-K3LV-A131-1 | 6500 | 115 ... 135 | Q65112A4083 |
| GW JTLRS1.EM-K3LV-XX51-1 | 6500 | 115 ... 135 | Q65112A4092 |

| Type: Typ: | Color Temperature Farbtemperatur [K] | Luminous Flux 1) page 25 Lichtstrom 1) Seite 25 IF = 100 mA ΦV [lm] GW | Ordering Code Bestellnummer |
|-----------------------------|---|---|--------------------------------|
| JTLRS1.EM-KYK2-A10310-1-L | 2200 | 95 ... 115 | Q65112A5666 |
| GW JTLRS1.EM-KYK2-XX510-1-L | 2200 | 95 ... 115 | Q65112A5668 |
| GW JTLRS1.EM-K2K5-A838-1-L | 2700 | 110 ... 130 | Q65112A5649 |
| GW JTLRS1.EM-K2K5-XX58-1-L | 2700 | 110 ... 130 | Q65112A5652 |
| GW JTLRS1.EM-K2K5-A737-1-L | 3000 | 110 ... 130 | Q65112A5648 |
| GW JTLRS1.EM-K2K5-XX57-1-L | 3000 | 110 ... 130 | Q65112A5650 |
| GW JTLRS1.EM-K3LV-A636-1-L | 3500 | 110 ... 130 | Q65112A5653 |
| GW JTLRS1.EM-K3LV-XX56-1-L | 3500 | 110 ... 130 | Q65112A5684 |
| GW JTLRS1.EM-K4LW-A535-1-L | 4000 | 120 ... 140 | Q65112A5657 |
| GW JTLRS1.EM-K4LW-XX55-1-L | 4000 | 120 ... 140 | Q65112A5664 |
| GW JTLRS1.EM-K4LW-A333-1-L | 5000 | 120 ... 140 | Q65112A5656 |
| GW JTLRS1.EM-K4LW-XX53-1-L | 5000 | 120 ... 140 | Q65112A5662 |
| GW JTLRS1.EM-K4LW-A232-1-L | 5700 | 120 ... 140 | Q65112A5655 |
| GW JTLRS1.EM-K4LW-XX52-1-L | 5700 | 120 ... 140 | Q65112A5660 |
| GW JTLRS1.EM-K4LW-A131-1-L | 6500 | 120 ... 140 | Q65112A5685 |
| GW JTLRS1.EM-K4LW-XX51-1-L | 6500 | 120 ... 140 | Q65112A5686 |

Note: The above Type Numbers represent the order groups which include only a few brightness groups (see page 5). Only one group will be shipped on each packing unit (there will be no mixing of two groups on each packing unit). E. g. GW JTLRS1.EM-KZK3-XX58-1 means that only one group K1, K2, K3, KZ will be shippable for any packing unit.

In a similar manner for colors where color chromaticity coordinate groups are measured and binned, single groups will be shipped on

any one packing unit. GW JTLRS1.EM-KZK3-XX58-1 means that the device will be shipped within the specified limits.

In a similar manner for colors where forward voltage groups are measured and binned, single forward voltage groups will

Anm.: be shipped

on any packing unit. E. g. GW JTLRS1.EM-KZK3-XX58-1 means that only one forward voltage group D2,E1,E2,F1,F2,G1 will be shippable. Die oben genannten Typbezeichnungen umfassen die bestellbaren Selektionen. Diese bestehen aus wenigen

Helligkeitsgruppen

(siehe Seite 5). Es wird nur eine einzige Helligkeitsgruppe pro Verpackungseinheit geliefert. Z. B. GW JTLRS1.EM-KZK3-XX58-1 bedeutet, dass in einer Verpackungseinheit nur eine der Helligkeitsgruppen K1, K2, K3, KZ enthalten ist. Gleiches gilt für

die Farben, bei denen Farbortgruppen gemessen und gruppiert werden. Pro Verpackungseinheit wird nur eine Farbortgruppe geliefert. Z.B. GW JTLRS1.EM-KZK3-XX58-1 bedeutet, dass in einer Verpackungseinheit nur eine der Farbortgruppen enthalten ist. GW JTLRS1.EM-KZK3-XX58-1 bedeutet, dass das Bauteil innerhalb der spezifizierten

Grenzen

geliefert wird.

2018 10-30 Gleiches gilt für die LEDs, bei denen die Durchlassspannungsgruppen gemessen und gruppiert werden. Pro

Verpackungseinheit

wird nur eine Durchlassspannungsgruppe geliefert. Z. B. GW JTLRS1.EM-KZK3-XX58-1 bedeutet, dass nach Durchlassspannungsgruppen gruppiert wird. In einer Verpackungseinheit ist nur eine der Durchlassspannungsgruppen D2,E1,E2,F1,F2,G1 enthalten (siehe Seite 5).

Maximum Ratings Grenzwerte**Parameter**

| Bezeichnung | Symbol Symbol | Values Werte | Unit Einheit |
|--|--------------------------------|-------------------------------|-------------------------------|
| Operating temperature range Betriebstemperatur | Top | -40 ... 100 | °C |
| Storage temperature range Lagertemperatur | Tstg | -40 ... 100 | °C |
| Junction temperature Sperrschichttemperatur | Tj | 125 | °C |
| Forward current Durchlassstrom (TJ = 25 °C) | IF | 10 ... 120 | mA |
| Surge current Stoßstrom (t ≤ 10 µs; D = 0.005; TJ = 25 °C) | IFM | 200 | mA |
| ESD withstand voltage ESD Festigkeit (acc. to ANSI/ESDA/JEDEC JS-001 - HBM, Class 2) | VESD | 2 | kV |

Characteristics (T_J = 25 °C; I_F = 100 mA)**Kennwerte**

| Parameter Bezeichnung | Symbol Symbol | Values Werte | Unit Einheit |
|---|--|---------------------------------------|-----------------|
| Viewing angle at 50 % IV Abstrahlwinkel bei 50 % IV | (typ.) 2φ | 120 | ° |
| Forward voltage 1) page 25 Durchlassspannung 1) Seite 25 | (min.) VF (typ.) VF (max.) VF | 8.60 9.60 9.80 | V V V |
| Reverse current Sperrstrom | IR | not designed for reverse operation | |
| Color rendering index 2) page 25 Farbwiedergabe Index 2) Seite 25 (2200K - 6500K) | (typ.) Ra (min.) Ra Rth JS el | 82 80 | - - |
| "Electrical" thermal resistance junction / solder point "Elektrischer" Wärmewiderstand Sperrschicht / Lötpad (with efficiency η _e = 35 %) | (typ.) | 13 | K/W |

Note: *Individual forward voltage groups see next page*

Anm.: *Durchlassspannungsgruppen siehe nächste Seite*

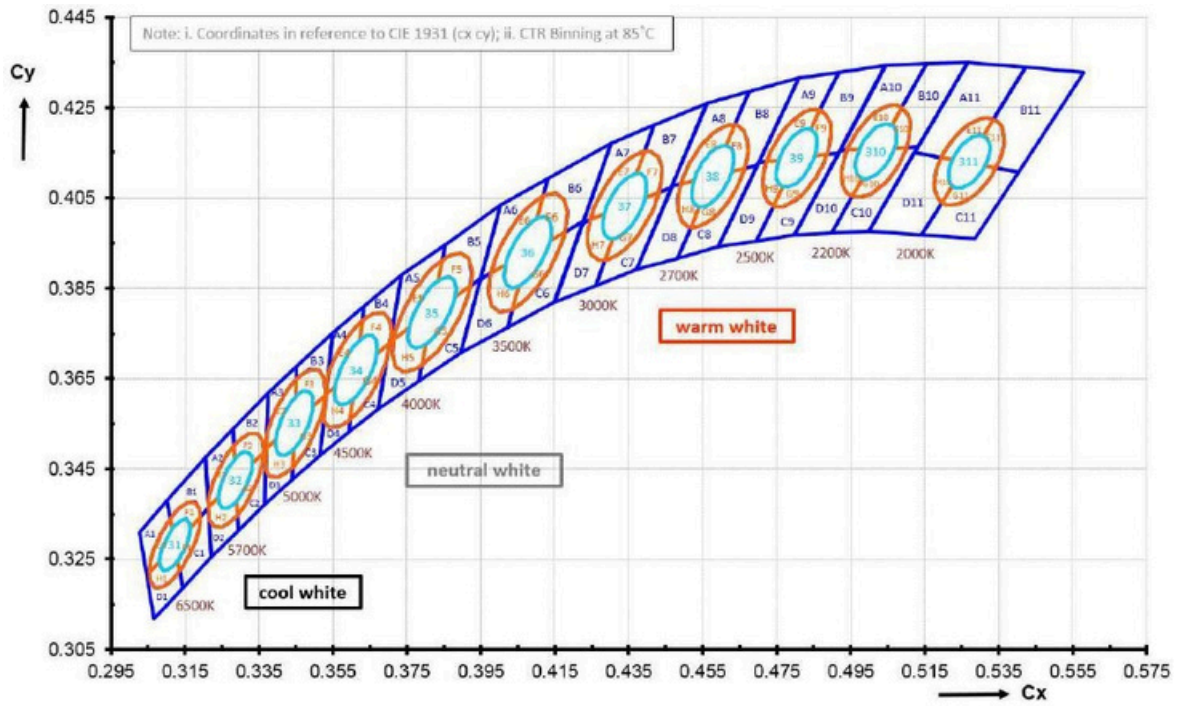
Brightness Groups
Helligkeitsgruppen

| Group Gruppe | Luminous Flux ^{3) page 25} Lichtstrom ^{3) Seite 25} (min.) Φ_V [lm] | Luminous Flux ^{3) page 25} Lichtstrom ^{3) Seite 25} (max.) Φ_V [lm] |
|-----------------|--|--|
| | KY | 95 |
| KZ | 100 | 105 |
| K1 | 105 | 110 |
| K2 | 110 | 115 |
| K3 | 115 | 120 |
| K4 | 120 | 125 |
| K5 | 125 | 130 |
| LV | 130 | 135 |
| LW | 135 | 140 |

Forward Voltage Groups ^{1) page 25}
Durchlassspannungsgruppen ^{1) Seite 25}

| Group Gruppe | (min.) VF | | (max.) VF | |
|-----------------|-----------|----------|-----------|----------|
| | D2 | [V] 8.60 | | [V] 8.80 |
| E1 | 8.80 | | 9.00 | |
| E2 | 9.00 | | 9.20 | |
| F1 | 9.20 | | 9.40 | |
| F2 | 9.40 | | 9.60 | |
| G1 | 9.60 | | 9.80 | |

Chromaticity Coordinate Groups ^{4) page 25}
 Farbortgruppen 4) Seite 25



Color Chromaticity Groups ⁴⁾ page²⁵

Farbortgruppen 4) Seite 25

| CCTs | Center | | 3Step | | 5Step | | Ø |
|-------|--------|--------|--------|--------|--------|--------|------|
| | Cx | Cy | a | b | a | b | |
| 2200K | 0.5020 | 0.4156 | 0.0072 | 0.0040 | 0.0120 | 0.0067 | 39.9 |
| 2500K | 0.4804 | 0.4138 | 0.0076 | 0.0041 | 0.0126 | 0.0068 | 53.1 |
| 2700K | 0.4577 | 0.4098 | 0.008 | 0.0041 | 0.0133 | 0.0068 | 54.1 |
| 3000K | 0.4339 | 0.4032 | 0.0086 | 0.0042 | 0.0142 | 0.0069 | 53.7 |
| 3500K | 0.4077 | 0.3929 | 0.0093 | 0.0042 | 0.0155 | 0.0069 | 53.9 |
| 4000K | 0.3818 | 0.3796 | 0.0094 | 0.0041 | 0.0157 | 0.0068 | 53.4 |
| 4500K | 0.3613 | 0.3669 | 0.0089 | 0.0038 | 0.0148 | 0.0063 | 57.0 |
| 5000K | 0.3446 | 0.3551 | 0.0081 | 0.0035 | 0.0135 | 0.0059 | 59.8 |
| 5700K | 0.3287 | 0.3425 | 0.0072 | 0.0032 | 0.0119 | 0.0052 | 58.8 |
| 6500K | 0.3123 | 0.3282 | 0.0066 | 0.0027 | 0.011 | 0.0045 | 58.1 |

| 2200K | 1 | | 2 | | 3 | | 4 | | 5 | |
|-------|--------|--------|--------|--------|--------|--------|--------|--------|--------|--------|
| Bin | Cx | Cy | Cx | Cy | Cx | Cy | Cx | Cy | Cx | Cy |
| A | 0.5155 | 0.4347 | 0.5044 | 0.4344 | 0.4921 | 0.4156 | 0.4941 | 0.4156 | 0.5088 | 0.4249 |
| B | 0.5155 | 0.4347 | 0.5265 | 0.4350 | 0.5132 | 0.4163 | 0.5101 | 0.4161 | 0.5088 | 0.4249 |
| C | 0.5132 | 0.4163 | 0.4998 | 0.3975 | 0.4898 | 0.3971 | 0.4955 | 0.4054 | 0.5101 | 0.4161 |
| D | 0.4955 | 0.4054 | 0.4941 | 0.4156 | 0.4921 | 0.4156 | 0.4798 | 0.3967 | 0.4898 | 0.3971 |
| E | 0.5088 | 0.4249 | 0.4941 | 0.4156 | 0.4973 | 0.4157 | 0.5061 | 0.4210 | NA | NA |
| F | 0.5088 | 0.4249 | 0.5101 | 0.4161 | 0.5068 | 0.4160 | 0.5061 | 0.4210 | NA | NA |
| G | 0.5101 | 0.4161 | 0.4955 | 0.4054 | 0.4981 | 0.4093 | 0.5068 | 0.4158 | NA | NA |
| H | 0.4981 | 0.4093 | 0.4973 | 0.4157 | 0.4941 | 0.4156 | 0.4955 | 0.4054 | NA | NA |

| 2500K | 1 | | 2 | | 3 | | 4 | | 5 | |
|-------|--------|--------|--------|--------|--------|--------|--------|--------|--------|--------|
| Bin | Cx | Cy | Cx | Cy | Cx | Cy | Cx | Cy | Cx | Cy |
| A | 0.4917 | 0.4328 | 0.4811 | 0.4315 | 0.4701 | 0.4128 | 0.4723 | 0.4130 | 0.4867 | 0.4245 |
| B | 0.4917 | 0.4328 | 0.5044 | 0.4344 | 0.4917 | 0.4149 | 0.4885 | 0.4146 | 0.4867 | 0.4245 |
| C | 0.4917 | 0.4149 | 0.4798 | 0.3967 | 0.4695 | 0.3954 | 0.4741 | 0.4031 | 0.4885 | 0.4146 |
| D | 0.4741 | 0.4031 | 0.4723 | 0.4130 | 0.4701 | 0.4128 | 0.4591 | 0.3941 | 0.4695 | 0.3954 |
| E | 0.4867 | 0.4245 | 0.4723 | 0.4130 | 0.4755 | 0.4133 | 0.4842 | 0.4202 | NA | NA |
| F | 0.4867 | 0.4245 | 0.4885 | 0.4146 | 0.4853 | 0.4143 | 0.4842 | 0.4202 | NA | NA |
| G | 0.4885 | 0.4146 | 0.4741 | 0.4031 | 0.4766 | 0.4074 | 0.4853 | 0.4143 | NA | NA |
| H | 0.4766 | 0.4074 | 0.4755 | 0.4133 | 0.4723 | 0.4130 | 0.4741 | 0.4031 | NA | NA |

| 2700K | 1 | | 2 | | 3 | | 4 | | 5 | |
|-------|--------|--------|--------|--------|--------|--------|--------|--------|--------|--------|
| Bin | Cx | Cy | Cx | Cy | Cx | Cy | Cx | Cy | Cx | Cy |
| A | 0.4675 | 0.4285 | 0.4561 | 0.4259 | 0.4467 | 0.4076 | 0.4491 | 0.4081 | 0.4637 | 0.4212 |
| B | 0.4675 | 0.4285 | 0.4811 | 0.4315 | 0.4698 | 0.4123 | 0.4663 | 0.4115 | 0.4637 | 0.4212 |
| C | 0.4698 | 0.4123 | 0.4591 | 0.3941 | 0.4482 | 0.3917 | 0.4517 | 0.3984 | 0.4663 | 0.4115 |
| D | 0.4517 | 0.3984 | 0.4491 | 0.4081 | 0.4467 | 0.4076 | 0.4372 | 0.3892 | 0.4482 | 0.3917 |
| E | 0.4637 | 0.4212 | 0.4491 | 0.4081 | 0.4526 | 0.4088 | 0.4613 | 0.4166 | NA | NA |
| F | 0.4637 | 0.4212 | 0.4663 | 0.4115 | 0.4628 | 0.4108 | 0.4613 | 0.4166 | NA | NA |
| G | 0.4663 | 0.4115 | 0.4517 | 0.3984 | 0.4541 | 0.4030 | 0.4628 | 0.4108 | NA | NA |
| H | 0.4541 | 0.4030 | 0.4526 | 0.4088 | 0.4491 | 0.4081 | 0.4517 | 0.3984 | NA | NA |

| 3000K | 1 | | 2 | | 3 | | 4 | | 5 | |
|-------|--------|--------|--------|--------|--------|--------|--------|--------|--------|--------|
| Bin | Cx | Cy | Cx | Cy | Cx | Cy | Cx | Cy | Cx | Cy |
| A | 0.4418 | 0.4211 | 0.4302 | 0.4171 | 0.4226 | 0.3995 | 0.4246 | 0.4002 | 0.4393 | 0.4153 |
| B | 0.4418 | 0.4211 | 0.4561 | 0.4259 | 0.4465 | 0.4073 | 0.4432 | 0.4062 | 0.4393 | 0.4153 |
| C | 0.4465 | 0.4073 | 0.4372 | 0.3892 | 0.4261 | 0.3856 | 0.4285 | 0.3911 | 0.4432 | 0.4062 |
| D | 0.4285 | 0.3911 | 0.4246 | 0.4002 | 0.4226 | 0.3995 | 0.4149 | 0.3819 | 0.4261 | 0.3856 |
| E | 0.4393 | 0.4153 | 0.4246 | 0.4002 | 0.4283 | 0.4014 | 0.4371 | 0.4105 | NA | NA |
| F | 0.4393 | 0.4153 | 0.4432 | 0.4062 | 0.4395 | 0.4050 | 0.4371 | 0.4105 | NA | NA |
| G | 0.4432 | 0.4062 | 0.4285 | 0.3911 | 0.4307 | 0.3960 | 0.4395 | 0.4050 | NA | NA |
| H | 0.4307 | 0.3960 | 0.4283 | 0.4014 | 0.4246 | 0.4002 | 0.4285 | 0.3911 | NA | NA |

| 3500K | 1 | | 2 | | 3 | | 4 | | 5 | |
|-------|--------|--------|--------|--------|--------|--------|--------|--------|--------|--------|
| Bin | Cx | Cy | Cx | Cy | Cx | Cy | Cx | Cy | Cx | Cy |
| A | 0.4131 | 0.4093 | 0.4003 | 0.4034 | 0.3949 | 0.3871 | 0.3977 | 0.3883 | 0.4118 | 0.4054 |
| B | 0.4131 | 0.4093 | 0.4302 | 0.4171 | 0.4227 | 0.3997 | 0.4177 | 0.3975 | 0.4118 | 0.4054 |
| C | 0.4227 | 0.3997 | 0.4149 | 0.3819 | 0.4022 | 0.3763 | 0.4036 | 0.3804 | 0.4177 | 0.3975 |
| D | 0.4036 | 0.3804 | 0.3977 | 0.3883 | 0.3949 | 0.3871 | 0.3895 | 0.3707 | 0.4022 | 0.3763 |
| E | 0.4118 | 0.4054 | 0.3977 | 0.3883 | 0.4017 | 0.3902 | 0.4102 | 0.4004 | NA | NA |
| F | 0.4118 | 0.4054 | 0.4177 | 0.3975 | 0.4137 | 0.3957 | 0.4102 | 0.4004 | NA | NA |
| G | 0.4177 | 0.3975 | 0.4036 | 0.3804 | 0.4052 | 0.3854 | 0.4137 | 0.3957 | NA | NA |
| H | 0.4052 | 0.3854 | 0.4017 | 0.3902 | 0.3977 | 0.3883 | 0.4036 | 0.3804 | NA | NA |

| 4000K | 1 | | 2 | | 3 | | 4 | | 5 | |
|-------|--------|--------|--------|--------|--------|--------|--------|--------|--------|--------|
| Bin | Cx | Cy | Cx | Cy | Cx | Cy | Cx | Cy | Cx | Cy |
| A | 0.3853 | 0.3947 | 0.3737 | 0.3879 | 0.3704 | 0.3731 | 0.3714 | 0.3737 | 0.3845 | 0.3913 |
| B | 0.3853 | 0.3947 | 0.4003 | 0.4034 | 0.3949 | 0.3871 | 0.3922 | 0.3855 | 0.3845 | 0.3913 |
| C | 0.3949 | 0.3871 | 0.3895 | 0.3707 | 0.3783 | 0.3645 | 0.3791 | 0.3679 | 0.3922 | 0.3855 |
| D | 0.3791 | 0.3679 | 0.3714 | 0.3737 | 0.3704 | 0.3731 | 0.3671 | 0.3583 | 0.3783 | 0.3645 |
| E | 0.3845 | 0.3913 | 0.3714 | 0.3737 | 0.3756 | 0.3760 | 0.3834 | 0.3866 | NA | NA |
| F | 0.3845 | 0.3913 | 0.3922 | 0.3855 | 0.3880 | 0.3832 | 0.3834 | 0.3866 | NA | NA |
| G | 0.3922 | 0.3855 | 0.3791 | 0.3679 | 0.3802 | 0.3726 | 0.3880 | 0.3832 | NA | NA |
| H | 0.3802 | 0.3726 | 0.3756 | 0.3760 | 0.3714 | 0.3737 | 0.3791 | 0.3679 | NA | NA |

| 4500K | 1 | | 2 | | 3 | | 4 | | 5 | |
|-------|--------|--------|--------|--------|--------|--------|--------|--------|--------|--------|
| Bin | Cx | Cy | Cx | Cy | Cx | Cy | Cx | Cy | Cx | Cy |
| A | 0.3634 | 0.3809 | 0.3550 | 0.3752 | 0.3538 | 0.3664 | 0.3629 | 0.3779 | NA | NA |
| B | 0.3634 | 0.3809 | 0.3737 | 0.3879 | 0.3709 | 0.3753 | 0.3629 | 0.3779 | NA | NA |
| C | 0.3695 | 0.3690 | 0.3671 | 0.3583 | 0.3593 | 0.3532 | 0.3597 | 0.3559 | NA | NA |
| D | 0.3597 | 0.3559 | 0.3524 | 0.3555 | 0.3514 | 0.3480 | 0.3593 | 0.3532 | NA | NA |
| E | 0.3629 | 0.3779 | 0.3538 | 0.3664 | 0.3532 | 0.3616 | 0.3557 | 0.3632 | 0.3623 | 0.3735 |
| F | 0.3629 | 0.3779 | 0.3709 | 0.3753 | 0.3703 | 0.3728 | 0.3669 | 0.3706 | 0.3623 | 0.3735 |
| G | 0.3703 | 0.3728 | 0.3695 | 0.3690 | 0.3597 | 0.3559 | 0.3603 | 0.3603 | 0.3669 | 0.3706 |
| H | 0.3603 | 0.3603 | 0.3557 | 0.3632 | 0.3532 | 0.3616 | 0.3524 | 0.3555 | 0.3597 | 0.3559 |

| 5000K | 1 | | 2 | | 3 | | 4 | | 5 | |
|-------|--------|--------|--------|--------|--------|--------|--------|--------|--------|--------|
| Bin | Cx | Cy | Cx | Cy | Cx | Cy | Cx | Cy | Cx | Cy |
| A | 0.3452 | 0.3678 | 0.3375 | 0.3619 | 0.3372 | 0.3528 | 0.3451 | 0.3648 | NA | NA |
| B | 0.3452 | 0.3678 | 0.3550 | 0.3752 | 0.3532 | 0.3614 | 0.3530 | 0.3612 | 0.3451 | 0.3648 |
| C | 0.3532 | 0.3614 | 0.3514 | 0.3480 | 0.3440 | 0.3426 | 0.3441 | 0.3454 | 0.3530 | 0.3612 |
| D | 0.3441 | 0.3454 | 0.3369 | 0.3445 | 0.3366 | 0.3372 | 0.3440 | 0.3426 | NA | NA |
| E | 0.3451 | 0.3648 | 0.3372 | 0.3528 | 0.3371 | 0.3496 | 0.3396 | 0.3514 | 0.3449 | 0.3609 |
| F | 0.3451 | 0.3648 | 0.3530 | 0.3612 | 0.3496 | 0.3588 | 0.3449 | 0.3609 | NA | NA |
| G | 0.3530 | 0.3612 | 0.3441 | 0.3454 | 0.3443 | 0.3493 | 0.3496 | 0.3588 | NA | NA |
| H | 0.3443 | 0.3493 | 0.3396 | 0.3514 | 0.3371 | 0.3496 | 0.3369 | 0.3445 | 0.3441 | 0.3454 |

| 5700K | 1 | | 2 | | 3 | | 4 | | 5 | |
|-------|--------|--------|--------|--------|--------|--------|--------|--------|--------|--------|
| Bin | Cx | Cy | Cx | Cy | Cx | Cy | Cx | Cy | Cx | Cy |
| A | 0.3280 | 0.3539 | 0.3205 | 0.3475 | 0.3212 | 0.3373 | 0.3283 | 0.3502 | NA | NA |
| B | 0.3280 | 0.3539 | 0.3375 | 0.3619 | 0.3370 | 0.3493 | 0.3363 | 0.3486 | 0.3283 | 0.3502 |
| C | 0.3370 | 0.3493 | 0.3366 | 0.3372 | 0.3294 | 0.3314 | 0.3291 | 0.3348 | 0.3363 | 0.3486 |
| D | 0.3291 | 0.3348 | 0.3215 | 0.3337 | 0.3221 | 0.3255 | 0.3294 | 0.3314 | NA | NA |
| E | 0.3283 | 0.3502 | 0.3212 | 0.3373 | 0.3213 | 0.3365 | 0.3242 | 0.3388 | 0.3284 | 0.3471 |
| F | 0.3283 | 0.3502 | 0.3363 | 0.3486 | 0.3332 | 0.3462 | 0.3284 | 0.3471 | NA | NA |
| G | 0.3363 | 0.3486 | 0.3291 | 0.3348 | 0.3290 | 0.3379 | 0.3332 | 0.3462 | NA | NA |
| H | 0.3291 | 0.3348 | 0.3215 | 0.3337 | 0.3213 | 0.3365 | 0.3242 | 0.3388 | 0.3290 | 0.3379 |

| 6500K | 1 | | 2 | | 3 | | 4 | | 5 | |
|-------|--------|--------|--------|--------|--------|--------|--------|--------|--------|--------|
| Bin | Cx | Cy | Cx | Cy | Cx | Cy | Cx | Cy | Cx | Cy |
| A | 0.3102 | 0.3379 | 0.3027 | 0.3310 | 0.3047 | 0.3214 | 0.3054 | 0.3220 | 0.3110 | 0.3340 |
| B | 0.3102 | 0.3379 | 0.3205 | 0.3475 | 0.3213 | 0.3363 | 0.3192 | 0.3344 | 0.3110 | 0.3340 |
| C | 0.3213 | 0.3363 | 0.3221 | 0.3255 | 0.3144 | 0.3187 | 0.3136 | 0.3224 | 0.3192 | 0.3344 |
| D | 0.3136 | 0.3224 | 0.3054 | 0.3220 | 0.3047 | 0.3214 | 0.3067 | 0.3118 | 0.3144 | 0.3187 |
| E | 0.3110 | 0.3340 | 0.3054 | 0.3220 | 0.3082 | 0.3245 | 0.3115 | 0.3317 | NA | NA |
| F | 0.3110 | 0.3340 | 0.3192 | 0.3344 | 0.3165 | 0.3319 | 0.3115 | 0.3317 | NA | NA |
| G | 0.3192 | 0.3344 | 0.3136 | 0.3224 | 0.3131 | 0.3247 | 0.3165 | 0.3319 | NA | NA |
| H | 0.3136 | 0.3224 | 0.3054 | 0.3220 | 0.3082 | 0.3245 | 0.3131 | 0.3247 | NA | NA |

Group Name on Label**Gruppenbezeichnung auf Etikett**

Example: K1-31-D2

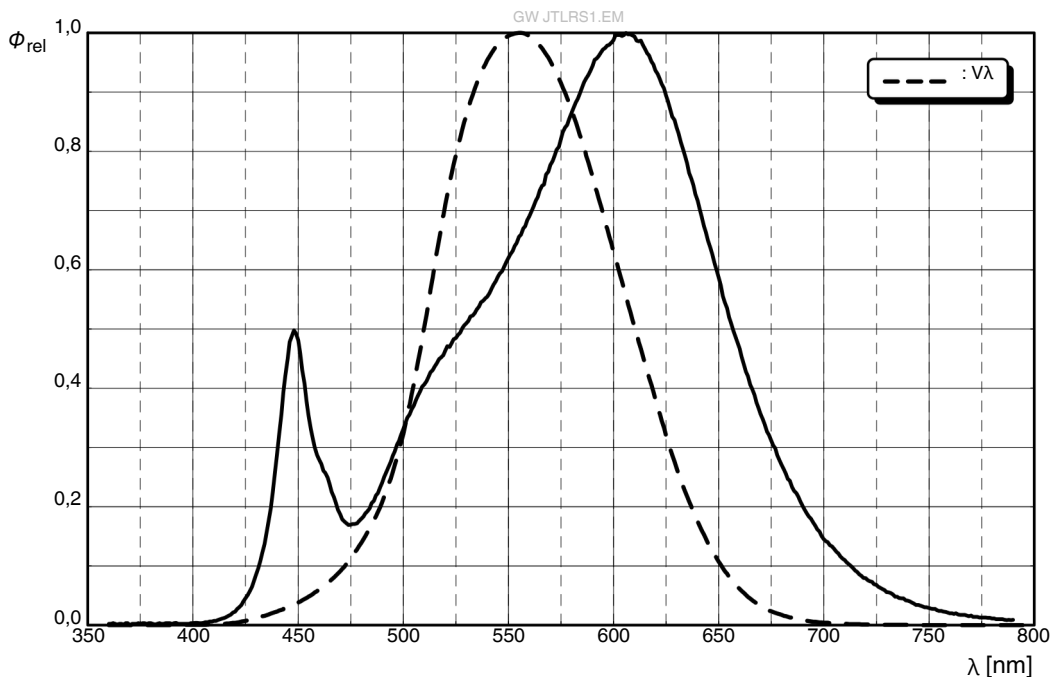
Beispiel: K1-31-D2

| Brightness Helligkeit | Chromaticity Coordinate Farbort | Forward Voltage Durchlassspannung |
|--------------------------|------------------------------------|--------------------------------------|
| K1 | 31 | D2 |

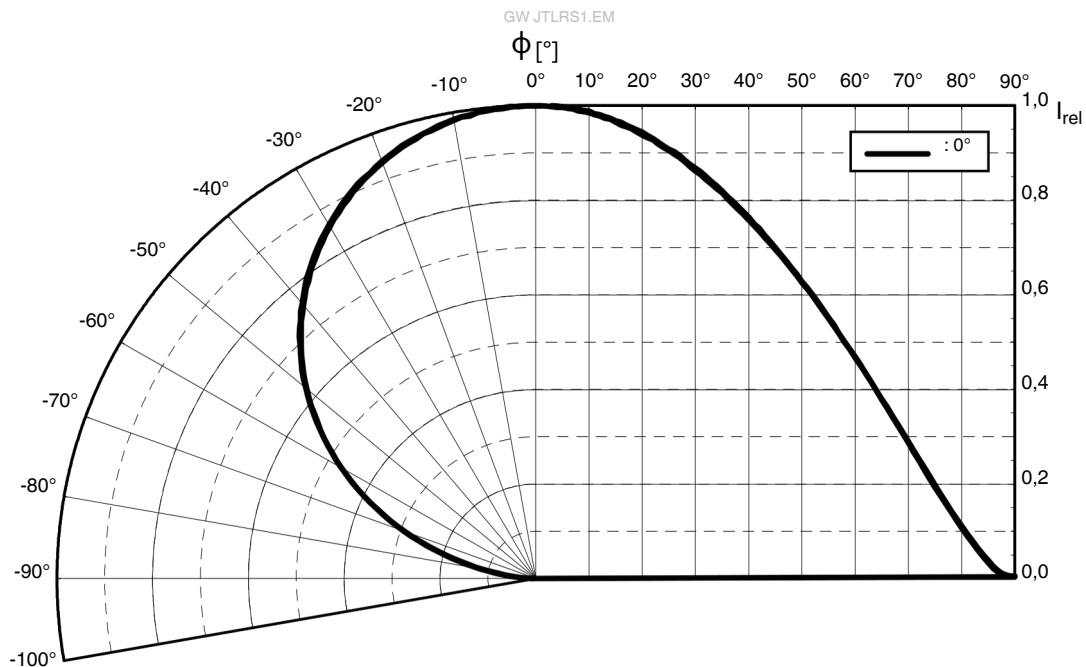
Note: No packing unit / tape ever contains more than one group for each selection.

Anm.: In einer Verpackungseinheit / Gurt ist immer nur eine Gruppe für jede Selektion enthalten.

Relative Spectral Emission - $V(\lambda) = \text{Standard eye response curve}$ ^{5)page 25}
 Relative spektrale Emission - $V(\lambda) = \text{spektrale Augenempfindlichkeit}$ ^{5) Seite 25}
 $\Phi_{rel} = f(\lambda)$; $T_J = 25\text{ }^\circ\text{C}$; $I_F = 100\text{ mA}$



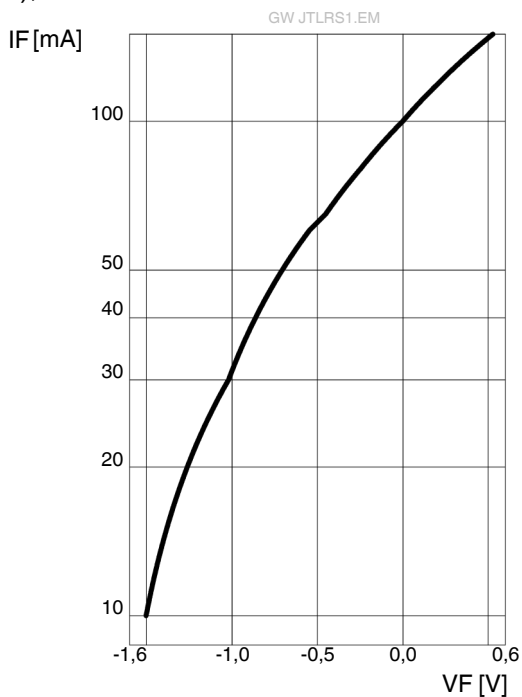
Radiation Characteristics ^{5) page 25}
 Abstrahlcharakteristik ^{5) Seite 25}
 $I_{rel} = f(\phi)$; $T_J = 25\text{ }^\circ\text{C}$



ForwardCurrent 5) page 25, 6) page 25

Durchlassstrom 5) Seite 25, 6) Seite 25

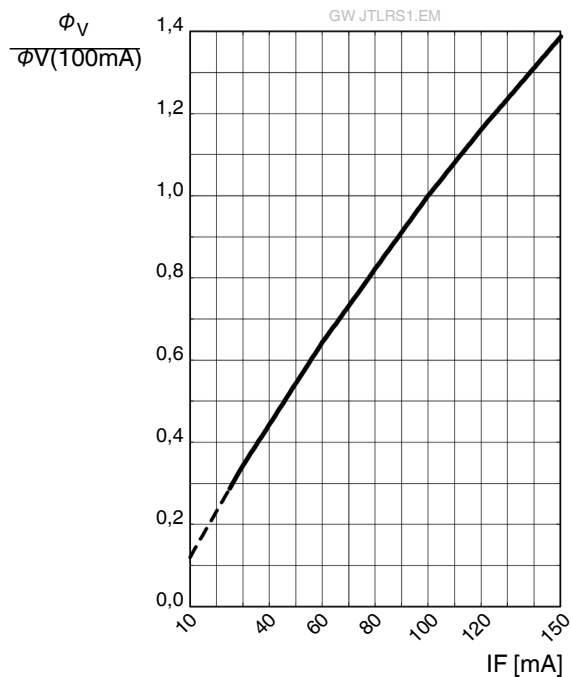
$I_F = f(V_F); T_J = 25\text{ }^\circ\text{C}$



Relative LuminousFlux 5) page 25, 6) page 25

Relativer Lichtstrom 5) Seite 25, 6) Seite 25

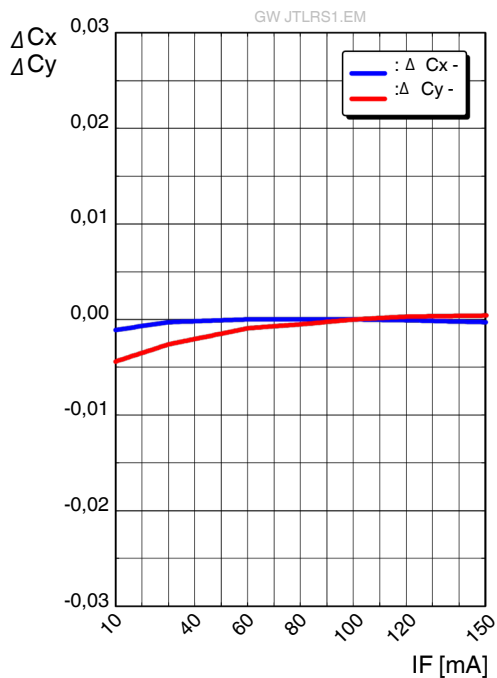
$\Phi_V / \Phi_V(100\text{ mA}) = f(I_F); T_J = 25\text{ }^\circ\text{C}$



ChromaticityCoordinateShift 5) page 25

Farbortverschiebung 5) Seite 25

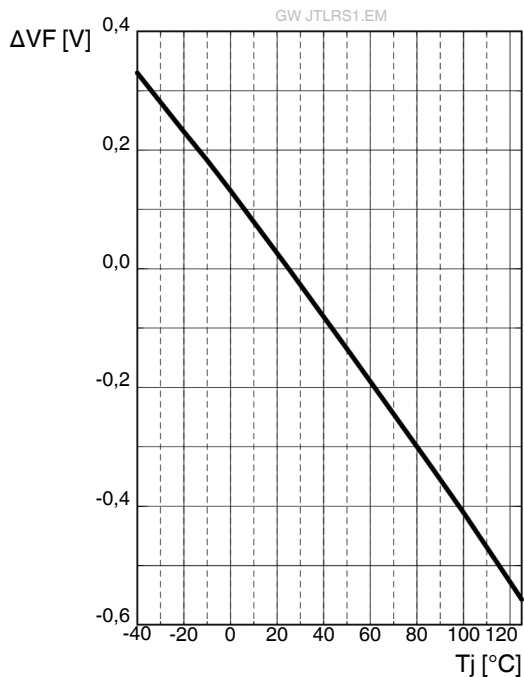
$\Delta C_x, \Delta C_y = f(I_F); T_J = 25\text{ }^\circ\text{C}$



Relative Forward Voltage ^{5) page 25}

Relative Vorwärtsspannung ^{5) Seite 25}

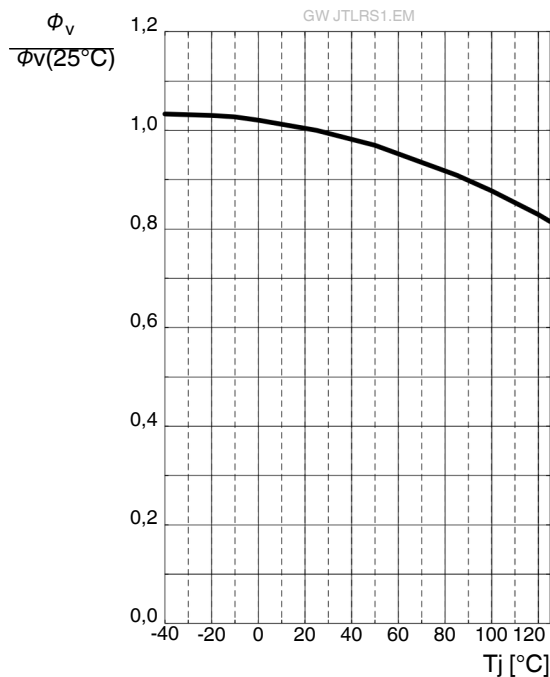
$\Delta VF = VF - VF(25\text{ }^\circ\text{C}) = f(T_j); I_F = 100\text{ mA}$



Relative Luminous Flux ^{5) page 25}

Relativer Lichtstrom ^{5) Seite 25}

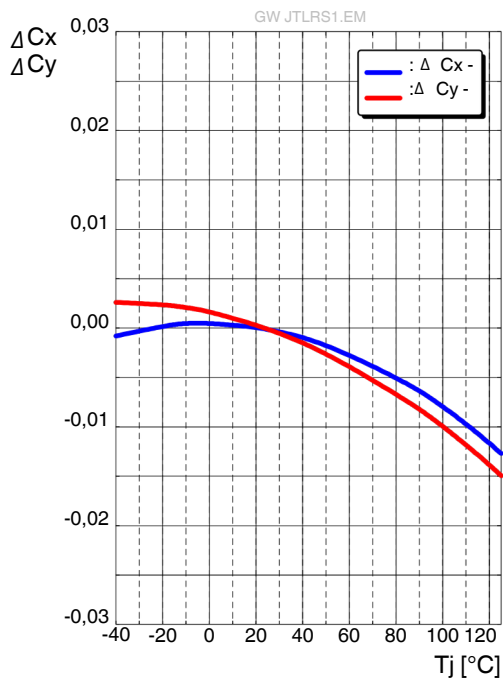
$\Phi_V / \Phi_V(25\text{ }^\circ\text{C}) = f(T_j); I_F = 100\text{ mA}$

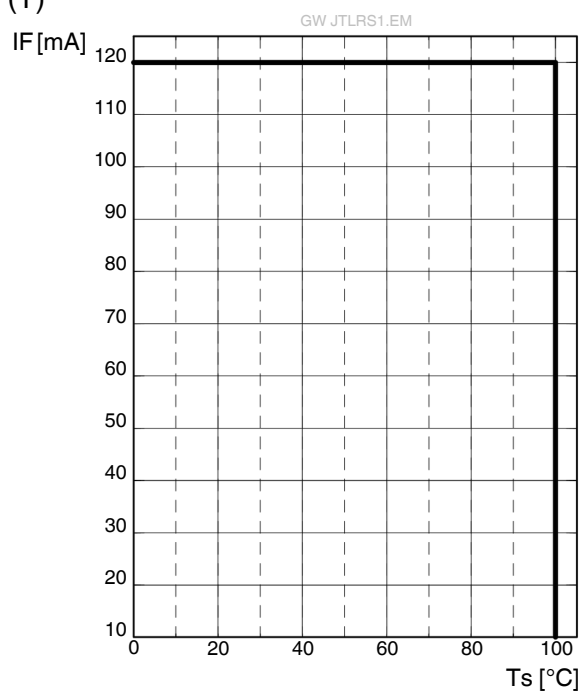


Chromaticity Coordinate Shift ^{5) page 25}

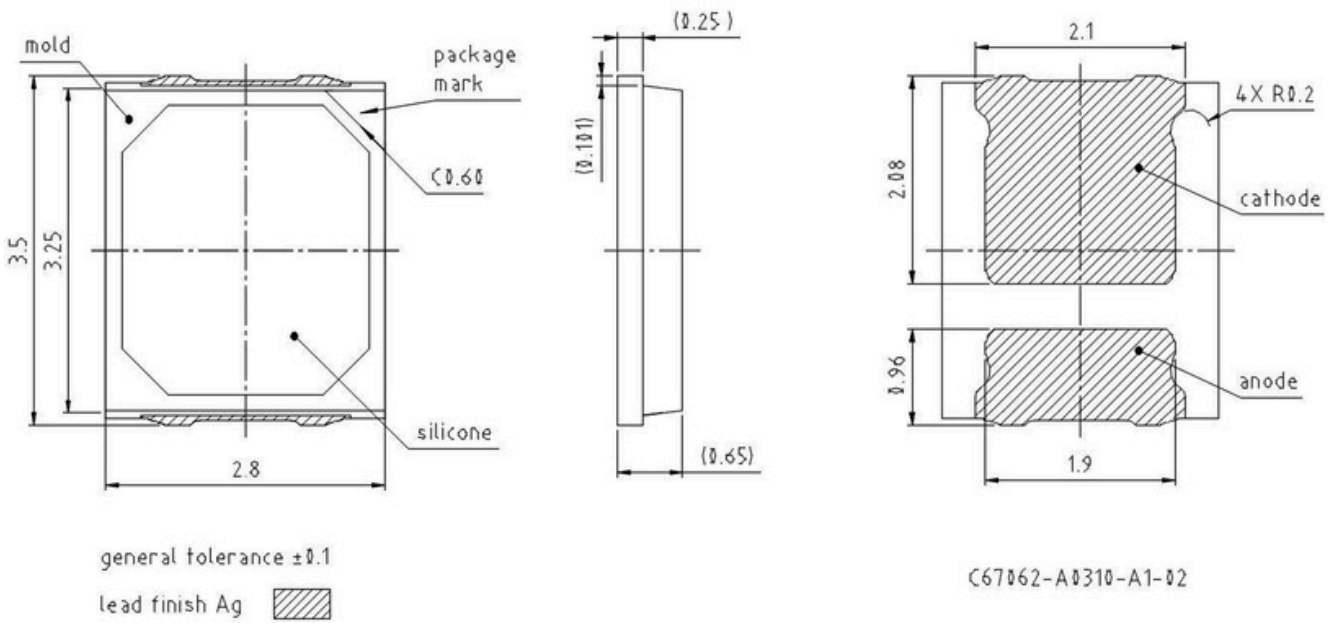
Farbortverschiebung ^{5) Seite 25}

$\Delta C_x, \Delta C_y = f(T_j); I_F = 100\text{ mA}$



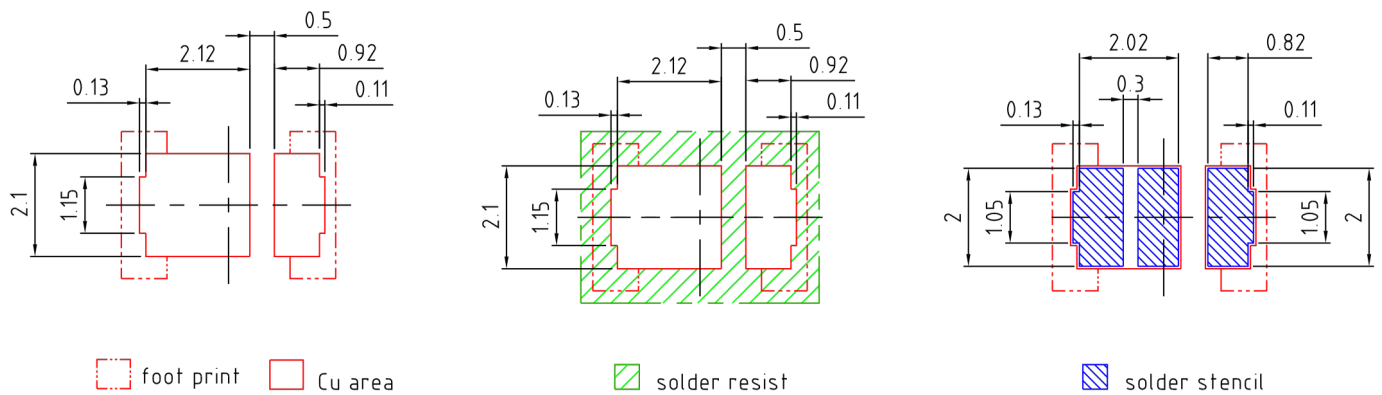
Max. Permissible Forward Current
Max. zulässiger Durchlassstrom $I_F = f(T)$ 

Package Outline ⁷⁾ page 25
 Maßzeichnung ⁷⁾ Seite 25



| | |
|----------------------------|---------------|
| Approximate Weight: | 20 mg |
| Gewicht: | 20 mg C |
| Ma r k: | at ho de |
| Markierung: | Ka th od e |

Recommended Solder Pad ^{7)page 25}
Empfohlenes Lötpad design ^{7)Seite 25}



E067.0346.04-01

Note:

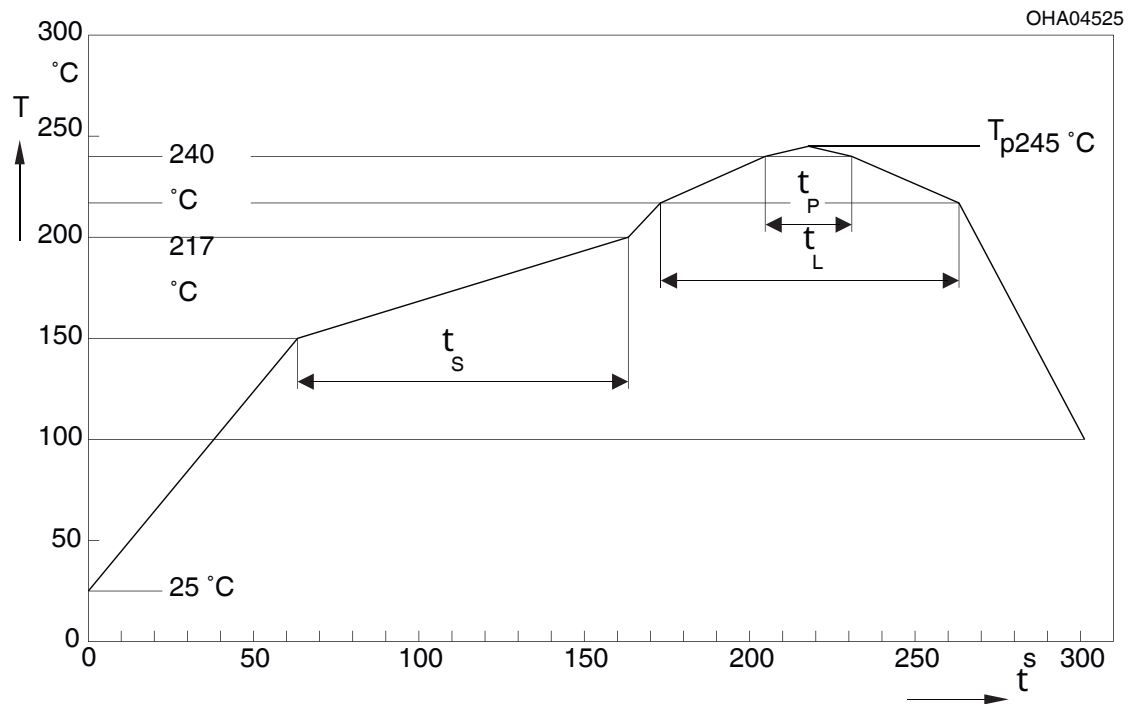
Package not suitable for ultra sonic cleaning.
 For superior solder joint connectivity results we recommend soldering under standard nitrogen atmosphere.

A nm .:

Das Gehäuse ist für Ultraschallreinigung nicht geeignet.
 Um eine verbesserte Lötstellenkontaktierung zu erreichen, empfehlen wir, unter Standard-Stickstoffatmosphäre zu löten.

Reflow Soldering Profile**Reflow-Lötprofil**

Productcomplies to MSL Level 3 acc. to JEDEC J-STD-020E



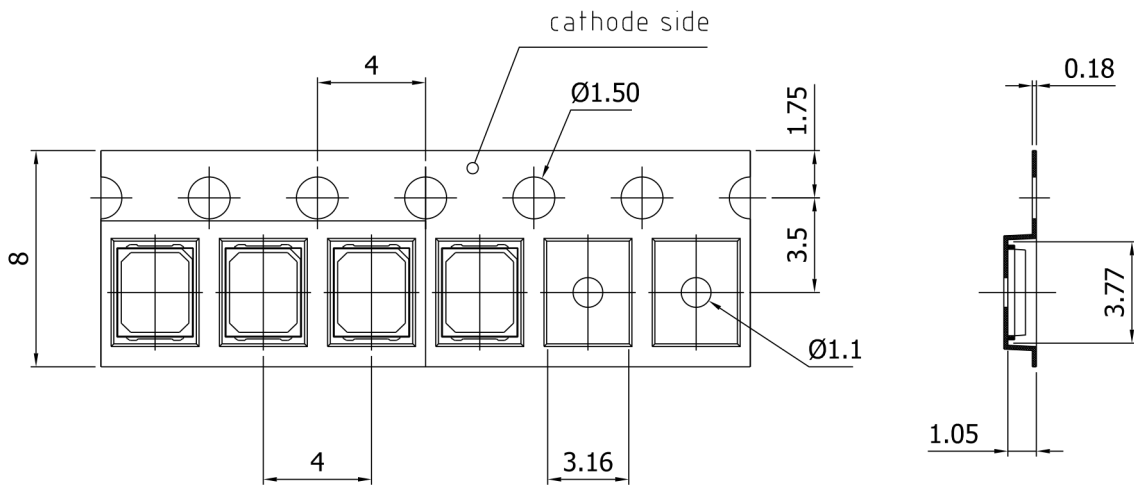
OHA04612

| Profile Feature Profil-Charakteristik | Symbol Symbol | Pb-Free (SnAgCu) Assembly | | | Unit Einheit |
|--|------------------|---------------------------|----------------|---------|-----------------|
| | | Minimum | Recommendation | Maximum | |
| Ramp-up rate to preheat*) 25 °C to 150 °C | | | 2 | 3 | K/s |
| Time t_s TSmin to TSmax | t_s | 60 | 100 | 120 | s |
| Ramp-up rate to peak*) TSmax to TP | | | 2 | 3 | K/s |
| Liquidus temperature | T_L | 217 | | | °C |
| Time above liquidus temperature | t_L | | 80 | 100 | s |
| Peak temperature | T_P | | 245 | 260 | °C |
| Time within 5 °C of the specified peak temperature TP - 5 K | t_P | 10 | 20 | 30 | s |
| Ramp-down rate* TP to 100 °C | | | 3 | 6 | K/s |
| Time 25 °C to T_p | | | | 480 | s |

All temperatures refer to the center of the package, measured on the top of the component

*slope calculation DT/Dt : Dt max. 5 s; fulfillment for the whole T-range

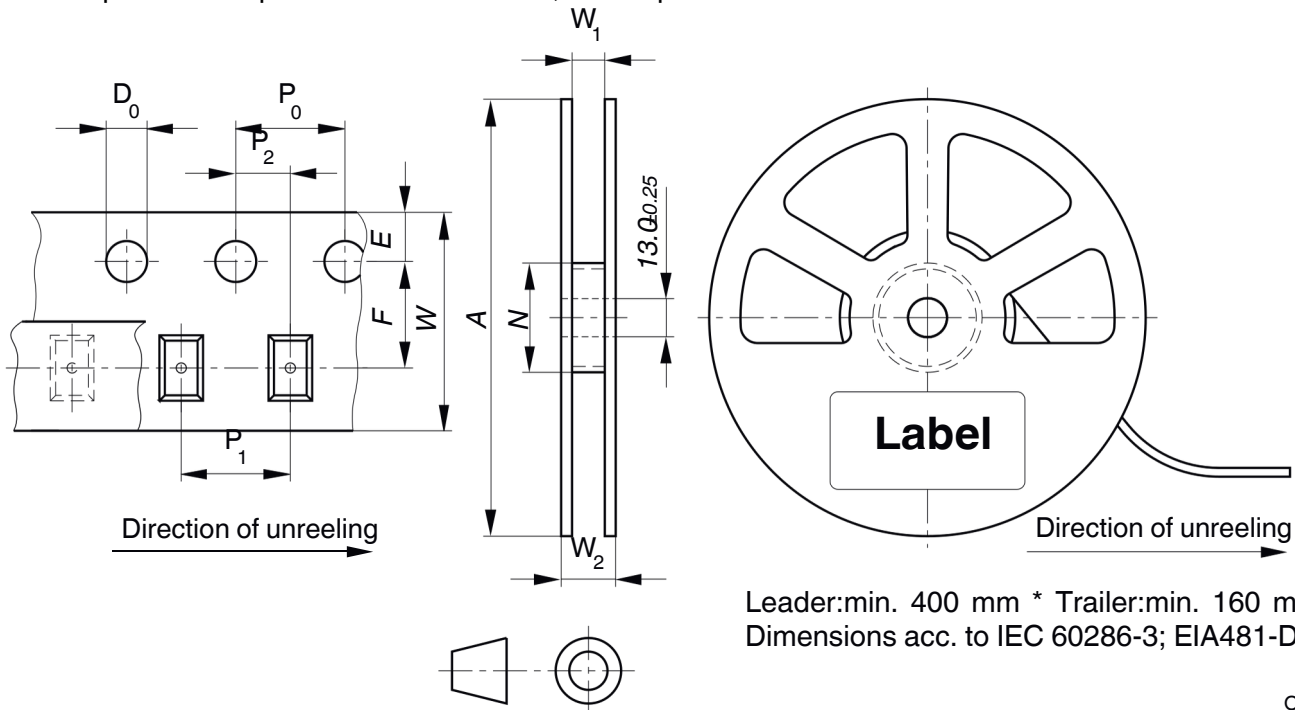
Taping ^{7)page 25}
Gurtung ^{7) Seite 25}



C67062-A0204-B9-01

Tape and Reel
Gurtverpackung

8mm tapewith 4000 pcs. on \varnothing 180 mm reel, 10000 pcs. on \varnothing 330 mm reel



OHAY0324

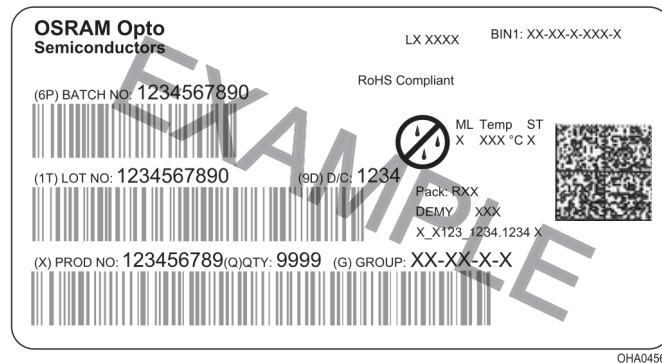
Tape dimensions [mm]
Gurtmaße [mm]

| W | P0 | P1 | P2 | D0 | E | F |
|----------------|---------|---------------------------|----------|-----------|------------|------------|
| 8 + 0.3 / -0.1 | 4 ± 0.1 | 2 ± 0.05 or 4 ± 0.1 | 2 ± 0.05 | 1.5 ± 0.1 | 1.75 ± 0.1 | 3.5 ± 0.05 |

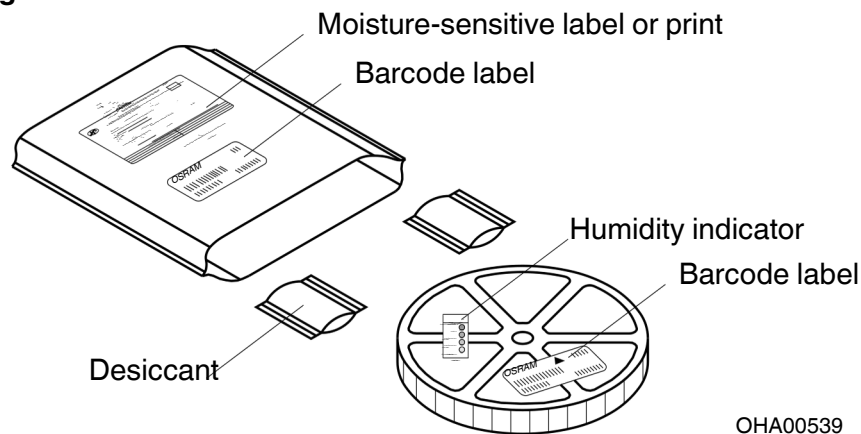
Reel dimensions [mm]
Rollenmaße [mm]

| A | W | Nmin | W1 | W2max |
|-----|---|------|---------|-------|
| 180 | 8 | 60 | 8.4 + 2 | 14.4 |
| 330 | 8 | 60 | 8.4 + 2 | 14.4 |

Barcode-Product-Label (BPL) Barcode-Produkt-Etikett (BPL)



Dry Packing Process and Materials Trockenverpackung und Materialien



No te :

Moisture-sensitive product is packed in a dry bag containing desiccant and a humidity card.

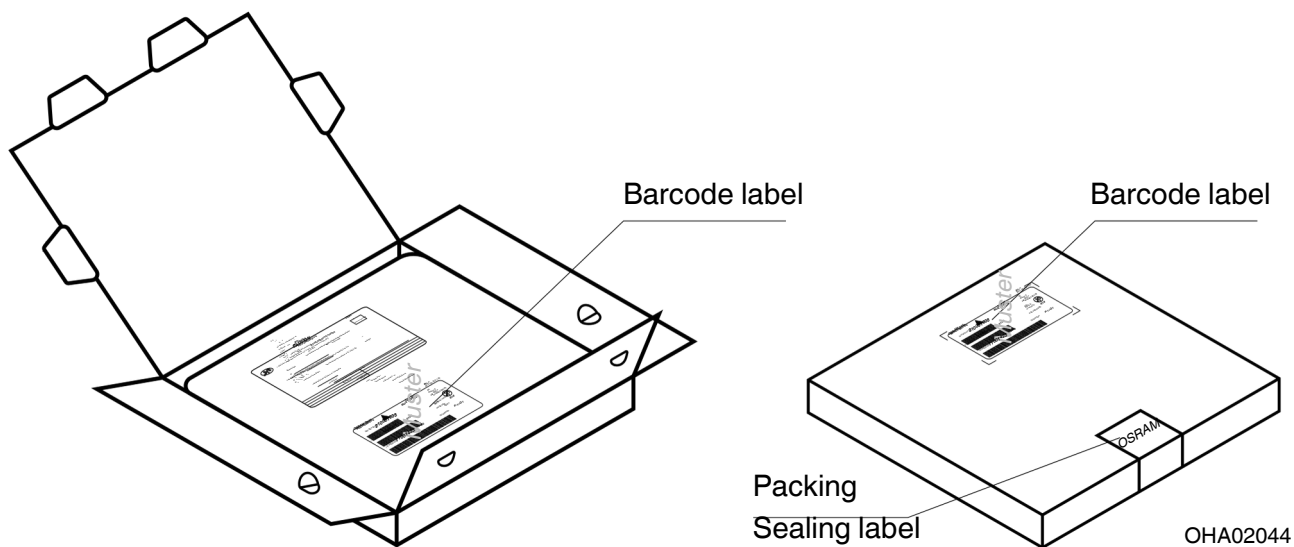
Regarding dry pack you will find further information in the internet and in the Short Form Catalog in chapter "Tape and Reel" under the topic "Dry Pack". Here you will also find the normative references like JEDEC.

An m.:

Feuchteempfindliche Produkte sind verpackt in einem Trockenbeutel zusammen mit einem Trockenmittel und einer Feuchteindikatorkarte.

Bezüglich Trockenverpackung finden Sie weitere Hinweise im Internet und in unserem Short Form Catalog im Kapitel "Gurtung und Verpackung" unter dem Punkt "Trockenverpackung". Hier sind Normenbezüge, unter anderem ein Auszug der JEDEC-Norm, enthalten.

Transportation Packing and Materials Kartonverpackung und Materialien



Dimensions of transportation box in mm

| Width Breite | Length Länge | Height Höhe |
|-----------------|-----------------|----------------|
| 200 ± 5 | 195 ± 5 | 30 ± 5 |
| 352 ± 5 | 352 ± 5 | 33 ± 5 |

Notes

The evaluation of eye safety occurs according to the standard IEC 62471:2008 ("photobiological safety of lamps and lamp systems"). Within the risk grouping system of this CIE standard, the LED specified in this data sheet fall into the class Low risk (exposure time 100 s). Under real circumstances (for exposure time, eye pupils, observation distance), it is assumed that no endangerment to the eye exists from these devices. As a matter of principle, however, it should be mentioned that intense light sources have a high secondary exposure potential due to their blinding effect. As is also true when viewing other bright light sources (e.g. spotlights), temporary reduction in visual acuity and afterimages can occur, leading to irritation, annoyance, visual impairment, and even accidents, depending on the situation.

This LED contains metal materials. Corroded metal may lead to a worsening of the optical performance of the LED and can in the worst case lead to a failure of the LED. Do not expose this LED to aggressive atmospheres. Note, that corrosive gases may as well be emitted from materials close to the LED in the final product.

This LED is designed for specific/recommended applications only. Please consult OSRAM Opto Semiconductors Sales Staff in advance for detailed information on other non-recommended applications (e.g. automotive)

OR

Please visit www.osram-os.com/appnotes. Change management for this component is aligned with the requirements of the lighting market.

Hinweise

Die Bewertung der Augensicherheit erfolgt nach dem Standard IEC 62471:2008 ("photobiological safety of lamps and lamp systems"). Im Risikogruppensystem dieser CIE- Norm erfüllen die in diesem Datenblatt angegebenen LEDs folgende Gruppenanforderung - Low risk (Expositionsdauer 100 s). Unter realen Umständen (für Expositionsdauer, Augenpupille, Betrachtungsabstand) geht damit von diesen Bauelementen keinerlei Augengefährdung aus. Grundsätzlich sollte jedoch erwähnt werden, dass intensive Lichtquellen durch ihre Blendwirkung ein hohes sekundäres Gefahrenpotenzial besitzen. Nach einem Blick in eine helle Lichtquelle (z.B. Spotlights), kann ein temporär eingeschränktes Sehvermögen oder auch Nachbilder zu Irritationen, Belästigungen, Beeinträchtigungen oder sogar Unfällen führen.

Diese LED enthält teilweise metallische Bestandteile. Korrodiertes Metall kann zu einer Verschlechterung der optischen Eigenschaften und im schlimmsten Fall zum Ausfall der LED führen. Diese LED darf aggressiven Bedingungen nicht ausgesetzt werden. Es ist zu beachten, dass korrosive Gase auch von Materialien emittiert werden können, die sich im Endprodukt in unmittelbarer Umgebung der LED befinden.

Die LED ist ausschließlich für spezifisch empfohlene Anwendungen konzipiert. Bitte kontaktieren Sie das OSRAM Opto Semiconductors Vertriebspersonal für detaillierte Informationen über nicht empfohlene Anwendungsbereiche (z.B. Automobilbereich). oder besuchen Sie

www.osram-os.com/appnotes

Das Änderungsmanagement dieses Bauteils ist an den Anforderungen des Lichtmarktes ausgerichtet.

Disclaimer

Language english will prevail in case of discrepancies or deviations between the two language wordings.

Attention please!

The information describes the type of component and shall not be considered as assured characteristics. Terms of delivery and rights to change design reserved. Due to technical requirements components may contain dangerous substances. For information on the types in question please contact our Sales Organization. If printed or downloaded, please find the latest version in the Internet.

Packing

Please use the recycling operators known to you. We can also help you – get in touch with your nearest sales office.

By agreement we will take packing material back, if it is sorted. You must bear the costs of transport. For packing material that is returned to us unsorted or which we are not obliged to accept, we shall have to invoice you for any costs incurred.

Components used in life-support devices or systems must be expressly authorized for such purpose!

Critical components* may only be used in life-support devices** or systems with the express written approval of OSRAM OS.

*) A critical component is a component used in a life-support device or system whose failure can reasonably be expected to cause the failure of that life-support device or system, or to affect its safety or the effectiveness of that device or system.

**) Life support devices or systems are intended (a) to be implanted in the human body, or (b) to support and/or maintain and sustain human life. If they fail, it is reasonable to assume that the health and the life of the user may be endangered.

Disclaimer

Bei abweichenden Angaben im zweisprachigen Wortlaut haben die Angaben in englischer Sprache Vorrang.

Bitte beachten! Lieferbedingungen

Design und Änderungen im Anfordertexten Aufgrund technischer können die Bauteile Gefahrstoffe enthalten. Für weitere Informationen zu gewünschten Bauteilen, wenden Sie sich bitte an unseren Vertrieb. Falls Sie dieses Datenblatt ausgedruckt oder heruntergeladen haben, finden Sie die aktuellste Version im Internet.

Verpackung

Bekanntes Recycling bitte. Wenn dies nicht bekannt sein sollten, wenden Sie sich bitte an das nächstgelegene Vertriebsbüro. Wir nehmen das Verpackungsmaterial zurück, falls dies vereinbart wurde und das Material sortiert ist. Sie tragen die Transportkosten. Für uns zurückgeschickt wird oder das Verpackungsmaterial, müssen, und die wir Ihnen die anfallenden Kosten in Rechnung. **Bauteile, die in lebenserhaltenden Apparaten und Systemen eingesetzt werden, müssen für diese Zwecke ausdrücklich zugelassen sein!**

Kritische Bauteile* dürfen in Apparaten und Systemen** nur dann eingesetzt werden, wenn ein schriftliches Einverständnis von OSRAM OS vorliegt.

*) Ein kritisches Bauteil ist ein Bauteil, das in

lebenserhaltenden Apparaten und Systemen eingesetzt werden und dessen Defekt voraussichtlich zu lebenserhaltenden Apparates oder Systems Fehlfunktion oder die Sicherheit oder Effektivität dieses Apparates oder Systems beeinträchtigt. **) Lebenserhaltende Apparate oder Systeme sind für (a) die Implantierung in den menschlichen Körper oder (b) für die Lebenserhaltung bestimmt. Falls Sie versagen, kann davon ausgegangen werden, dass die Gesundheit und das Leben des Patienten in Gefahr ist.

Glossary

- 1) **Forward Voltage:** The Forward voltage is measured during a current pulse duration of typically 1 ms with a tolerance of $\pm 0.05V$.
- 2) **Color reproduction index:** Color index values (CRI-RA) are measured during a current pulse of typically 10 ms and with a tolerance of ± 2 .
- 3) **Brightness:** Brightness values are measured during a current pulse of typically 10 ms, with a tolerance of $\pm 7\%$.
- 4) **Chromaticity coordinate groups:** Chromaticity coordinate groups are measured during a current pulse duration of typically 10ms with a tolerance of ± 0.005 .
- 5) **Typical Values:** Due to the special conditions of the manufacturing processes of LED, the typical data or calculated correlations of technical parameters can only reflect statistical figures. These do not necessarily correspond to the actual parameters of each single product, which could differ from the typical data and calculated correlations or the typical characteristic line. If requested, e.g. because of technical improvements, these typ. data will be changed without any further notice.
- 6) **Characteristic curve:** In the range where the line of the graph is broken, you must expect higher differences between single LEDs within one packing unit.
- 7) **Tolerance of Measure:** Unless otherwise noted in drawing, tolerances are specified with ± 0.1 and dimensions are specified in mm.

Glossar

- 1) **Vorwärtsspannung:** Spannungswerte werden mit einer Stromeinprägedauer von 1 ms, mit einer Genauigkeit von $\pm 0.05 V$ ermittelt.
- 2) **Farbwiedergabe Index:** Werte des Farbwiedergabe Index (CRI-RA) werden während eines Strompulses einer typischen Dauer von 10 ms, mit einer Genauigkeit von ± 2 ermittelt.
- 3) **Helligkeit:** Helligkeitswerte werden während eines Strompulses mit einer typischen Dauer von 10 ms, mit einer Genauigkeit von $\pm 7\%$ ermittelt.
- 4) **Farbortgruppen:** Farbortgruppen werden mit einer Stromeinprägedauer von 10 ms, mit einer Genauigkeit von ± 0.005 ermittelt.
- 5) **Typische Werte:** Wegen der besonderen Prozessbedingungen bei der Herstellung von LED können typische oder abgeleitete technische Parameter nur aufgrund statistischer Werte wiedergegeben werden. Diese stimmen nicht notwendigerweise mit den Werten jedes einzelnen Produktes überein, dessen Werte sich von typischen und abgeleiteten Werten oder typischen Kennlinien unterscheiden können. Falls erforderlich, z.B. aufgrund technischer Verbesserungen, werden diese typischen Werte ohne weitere Ankündigung geändert.
- 6) **Kennlinien:** Im gestrichelten Bereich der Kennlinien muss mit erhöhten Abweichungen zwischen Leuchtdioden innerhalb einer Verpackungseinheit gerechnet werden.
- 7) **Maßtoleranz:** Wenn in der Zeichnung nicht anders angegeben, gilt eine Toleranz von $\pm 0,1$. Maße werden in mm angegeben.

Published by OSRAM Opto Semiconductors GmbH
Leibnizstraße 4, D-93055 Regensburg
www.osram-os.com © All Rights Reserved.

EU RoHS and China RoHS compliant product



此产品符合欧盟 RoHS 指令的要求；
按照中国的相关法规和标准，不含有毒有害物质或元素。